

شرکت پتروشیمی نخل آسماری

اسناد و مدارک مربوط به مناقصه عمومی شماره :

۴۰۲/۱۰

موضوع مناقصه:

خرید تجهیزات اعلام و اطفای حریق

شرکت پتروشیمی نخل آسماری

تابستان ۱۴۰۲

پاسخ به سوالات و ابهامات

پیرو سوالات و درخواست رفع ابهام در مورد اسناد فنی مناقصه خرید تجهیزات اعلام و اطفای حریق، موارد تکمیلی جهت بهره برداری مناقصه گران اعلام میگردد.

۱- فشار کاری سیلندر های CO2 معادل ۱۵۰ بار.

۲- فشار تست سیلندر های CO2 معادل ۲۵۰ بار.

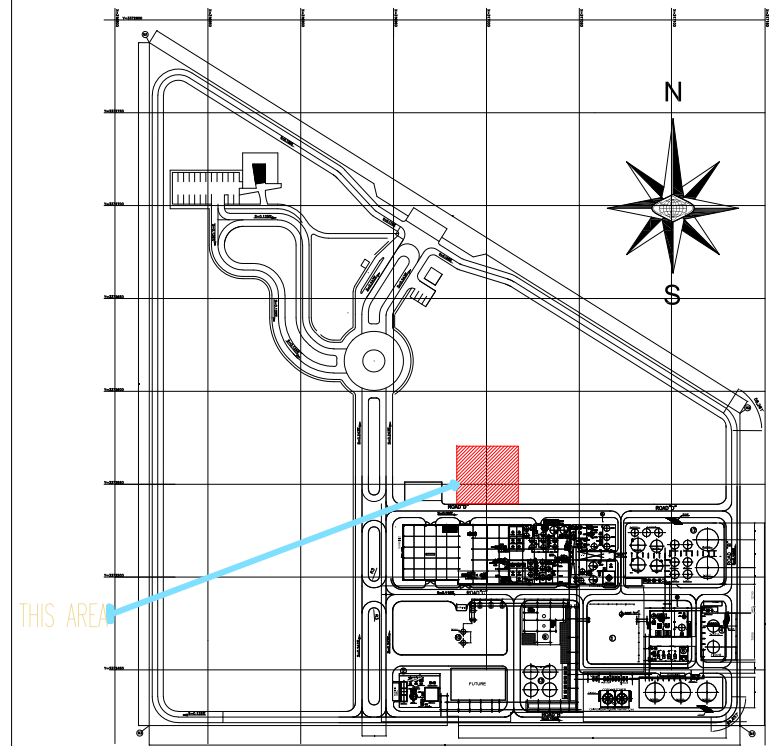
۳- فشار کاری سیلندر های FM200 معادل ۴۰ الی ۴۵ بار.

۴- فشار تست سیلندر های FM200 معادل ۱۰۰ بار.


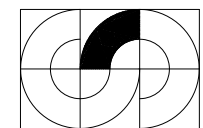
۵- ظرفیت (حجم خالص گاز) سیلندر های FM200 برابر ۶۸ لیتر معادل ۵۷/۳ کیلوگرم می باشد.

۶- نقشه **Installation Layout.pdf** به پیوست اضافه میگردد.

FIRE DETECTION AND ALARM SYSTEM & FIRE FIGHTING SYSTEM INSTALLATION LAYOUT



03					
02					
01					
00	Issue For Comment	B.Khoshnami	SH.Askarpour	B.Marzban	1402.04.29
REV	PURPOSE OF ISSUE	PRE'D	CHK'D	APP'D	DATE


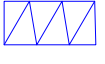


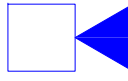





CLIENT: Nakhl Asmarf Petrochemical Company 	ENGINEERING CONSULTANT: FARS SCOUT INDUSTRIAL COMPANY 
--	---

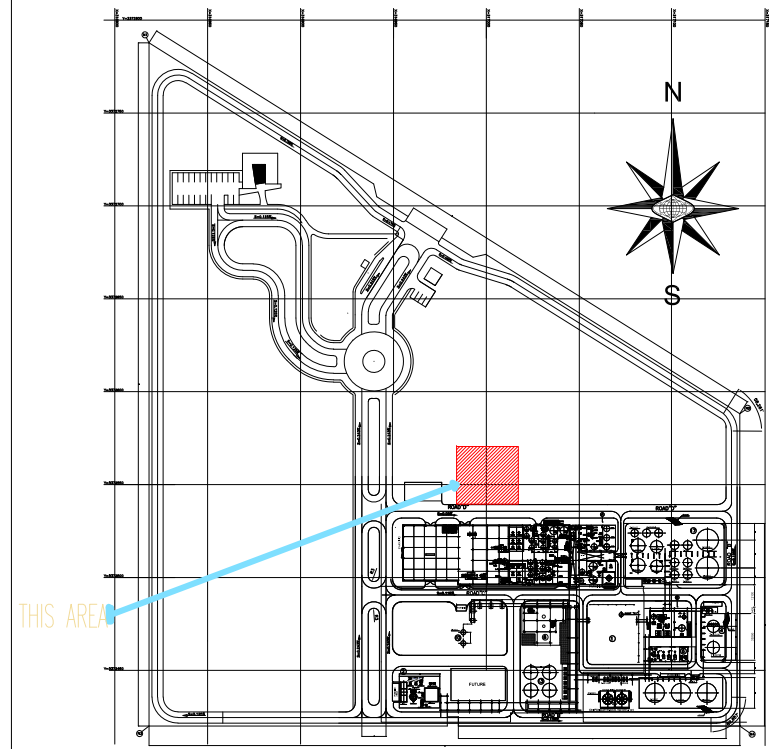
PROJECT:
CONTROL & SWITCHGEAR BUILDING


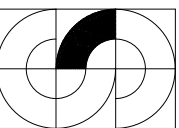
TITLE:
FIRE DETECTION & FIRE FIGHTING SYSTEM INSTALLATION LAYOUT

PRE'D: B.Khoshnami	CHK'D: SH.Askarpour	APP'D: B.Marzban
CONT. JOB No.:	CONT. DWG. No.:	
REF. No.:	SC.: AS SHOWN	
DOCUMENT No.:	SIZE: A2	
PRJ No.	PHASE	DISCIP.
		REV.
		00
		SHEET NO.
		1 OF 8

LEGEND & SYMBOL & INSTALLATION METOD

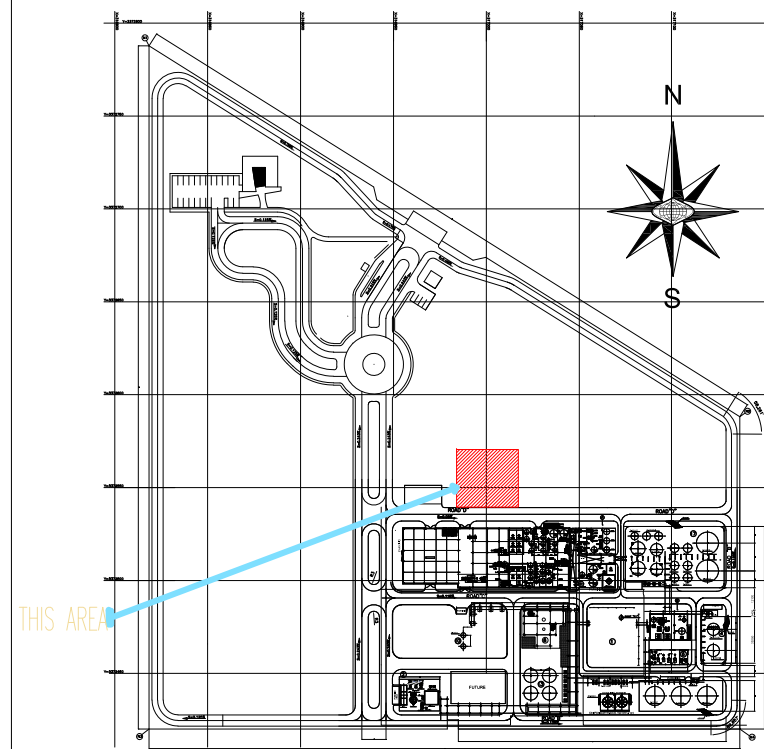
SYMBOL	DESCRIPTION	INSTALLATION METOD
<u>F</u>	WIRING FIRE ALARM & DETECTOR	
	FIRE ALARM CONTROL PANEL	
	RESISTOR END OF LINE	
	MANUAL ALARM CALL POINT	Manual call points should be fixed at a height of 1.4 m above finished floor level, Distribution of manual call points should be such that no one need travel more than 45 m applies to reach the nearest manual call point, measured along the route that a person would actually follow taking into account the layout of walls, partitions and fittings.
	WATERPROOF MANUAL ALARM CALL POINT	Manual call points should be fixed at a height of 1.4 m above finished floor level, Distribution of manual call points should be such that no one need travel more than 45 m applies to reach the nearest manual call point, measured along the route that a person would actually follow taking into account the layout of walls, partitions and fittings.
	HORN & BEACON (1ST STAGE)	Traditionally, a sound pressure level of 65 dB(A) has been regarded as the minimum acceptable sound pressure level for fire alarm signals. The frequency(ies) produced by fire alarm sounders should lie in the range of 500 Hz to 1 000 Hz. Visual alarms should be mounted at a minimum height of 2.1 m, but no closer to the ceiling than 150 mm.
	WATERPROOF HORN & BEACON (1ST STAGE)	Traditionally, a sound pressure level of 65 dB(A) has been regarded as the minimum acceptable sound pressure level for fire alarm signals. The frequency(ies) produced by fire alarm sounders should lie in the range of 500 Hz to 1 000 Hz. Visual alarms should be mounted at a minimum height of 2.1 m, but no closer to the ceiling than 150 mm.
	OPTICAL SMOKE DETECTOR	Under flat ceilings, the horizontal distance between any point in a protected area and the detector nearest to that point should not exceed: 1) 7.5 m if the nearest detector is a smoke detector; 2) 5.3 m if the nearest detector is a heat detector. NOTE 1 In corridors of width not exceeding 2 m, only points close to the centre line of the corridor need be considered, and accordingly the above recommendations will be satisfied if smoke or heat detectors are sited at intervals of 15 m and 10.6 m respectively, with the maximum dimension from the end wall being 7.5 metres and 5.3 metres respectively.
	RATE OF RISE HEAT DETECTOR	
	COMBINED HEAT & SMOKE DETECTOR	In areas in which early detection of a relatively fast and clean burning flaming fire is required, ionization chamber smoke detectors, suitable multi-sensor fire detection systems or flame detectors should be used; suitably sensitive heat detectors may also be considered.
	FLAME DETECTOR	Ultraviolet flame detectors should not be used as the sole means of fire detection in areas within buildings in which a fire can produce significant quantities of smoke before flaming occurs. For flame detectors to be effective, they should have a clear line-of-sight to the area being protected.



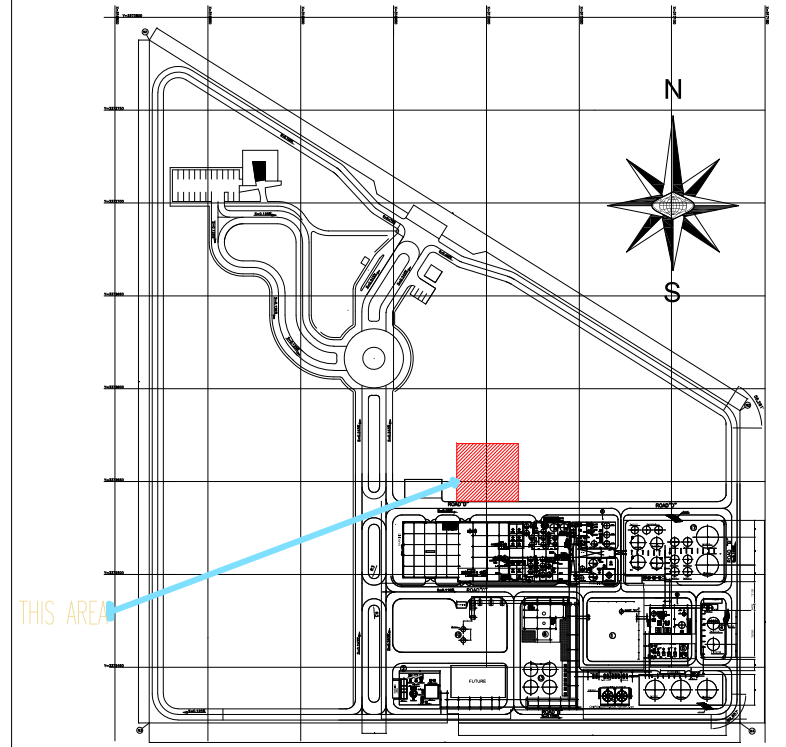
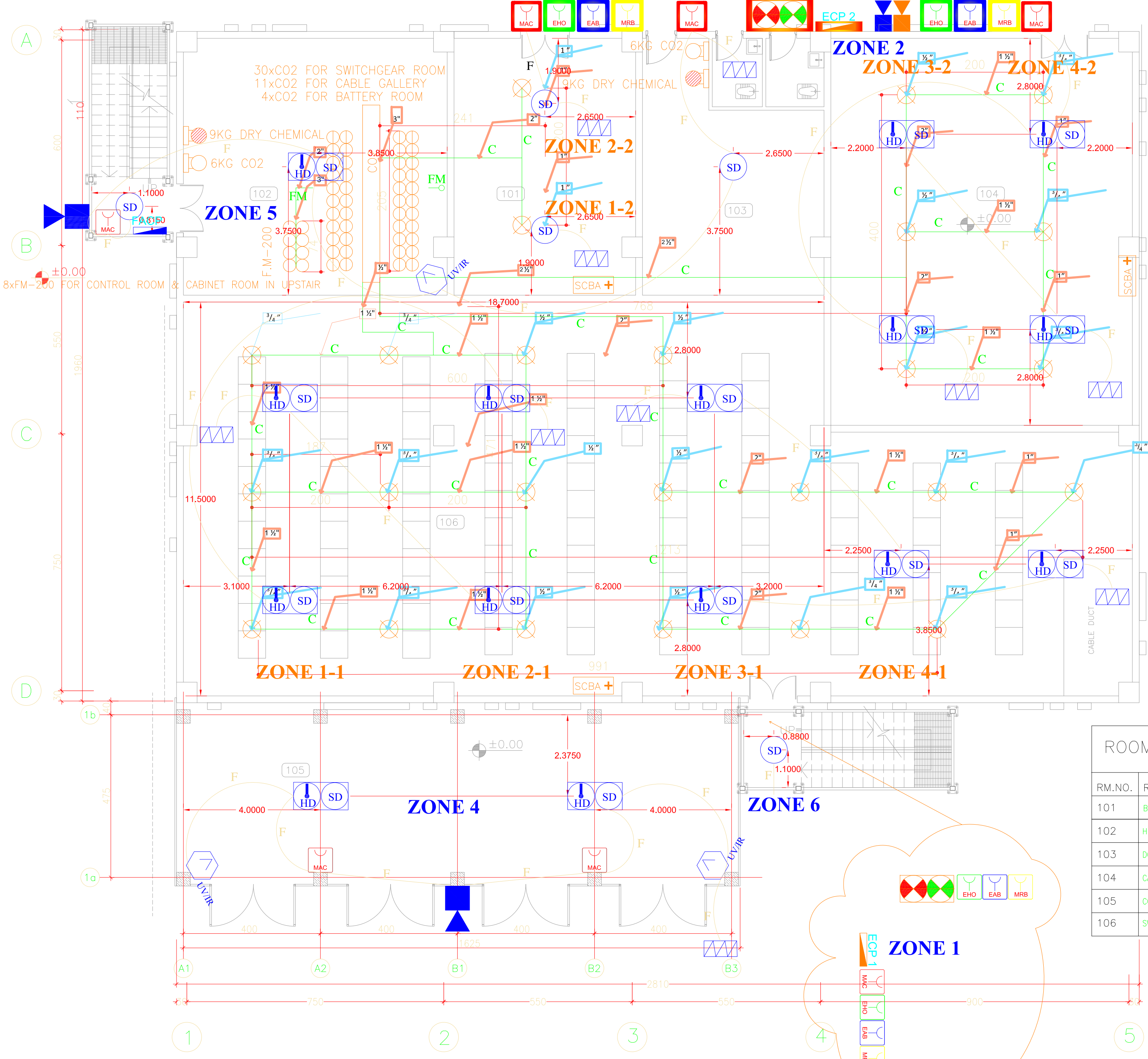
03					
02					
01					
00	Issue For Comment	B.Khoshnami	SH.Askarpour	B.Marzban	1402.04.29
REV	PURPOSE OF ISSUE	PRE'D	CHK'D	APP'D	DATE
CLIENT: Nakhl Asmari Petrochemical Company		ENGINEERING CONSULTANT: FARS SCOUT INDUSTRIAL COMPANY			
					
PROJECT: CONTROL & SWITCHGEAR BUILDING					
TITLE: FIRE DETECTION & FIRE FIGHTING SYSTEM INSTALLATION LAYOUT					
PRE'D:	B.Khoshnami	CHK'D:	SH.Askarpour	APP'D:	B.Marzban
CONT. JOB No.:			CONT. DWG. No.:		
REF. No.:					SC.: AS SHOWN
DOCUMENT No.:					SIZE: A2
PRJ No	PHASE	DISCIP.	DOC. TYPE	SERIAL NO.	REV.
					00
					3 OF 8

LEGEND & SYMBOL & INSTALLATION METOD

SYMBOL	DESCRIPTION	INSTALLATION METOD	SYMBOL	DESCRIPTION	INSTALLATION METOD
	CO2 PIPE LINE			GATE VALVE (SHUT-OFF VALVE) FOR PRESSURE GAUGES	
	FM 200 PIPE LINE			EXTINGUISHANT CONTROL PANEL	
	MANIFOLD CONNECTORS			WATERPROOF EXTINGUISHANT CONTROL PANEL	
	ELEC. SIGNAL			EXTINGUISHANT HOLD OFF	
	CO2 & FM 200 NOZZLE			WATERPROOF EXTINGUISHANT HOLD OFF	
	WEIGHT MONITORING MICROSWITCH			EXTINGUISHANT ABORT BUTTON	
	PRESSURE SAFETY VALVE			WATERPROOF EXTINGUISHANT ABORT BUTTON	
	PRESSURE SWITCH HIGH			MANUAL RELEASE BUTTON	
	CHECK VALVE			WATERPROOF MANUAL RELEASE BUTTON	
	SOLENOID VALVE			TWIN FLASHING LIGHT	
	SOLENOID OPERATED DIRECTIONAL VALVE			WATERPROOF TWIN FLASHING LIGHT	
	CO2 & FM 200 DISCHARGE NOZZLE			HORN & BEACON (2ND STAGE)	
	9KG DRY CHEMICAL FIRE EXTINGUISHER			WATERPROOF HORN & BEACON (2ND STAGE)	
	6KG CO2 FIRE EXTINGUISHER			JUNCTION BOX	
	BREATHING APPARATUS				
	MASTER CYLINDER WITH SOLENOID VALVE AND MANUAL/PNEUMATIC QUICK RELEASE VALVE & DISCHARGE HOSE & CHECK VALVE (45 kg. CO2 CAPACITY)				
	SLAVE CYLINDER WITH PNEUMATIC QUICK RELEASE VALVE & DISCHARGE HOSE & CHECK VALVE (45 kg. CO2 CAPACITY)				



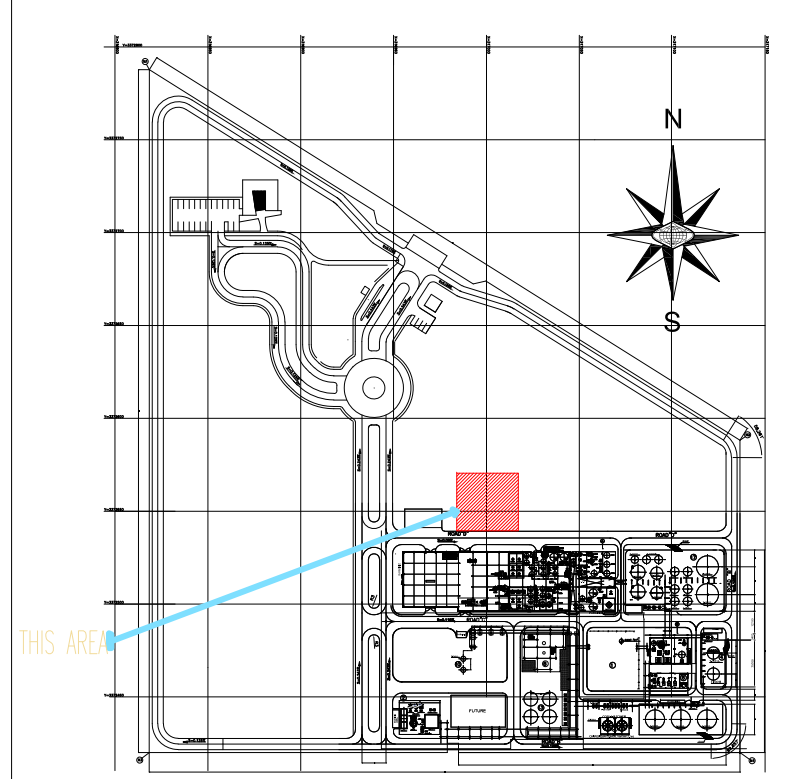
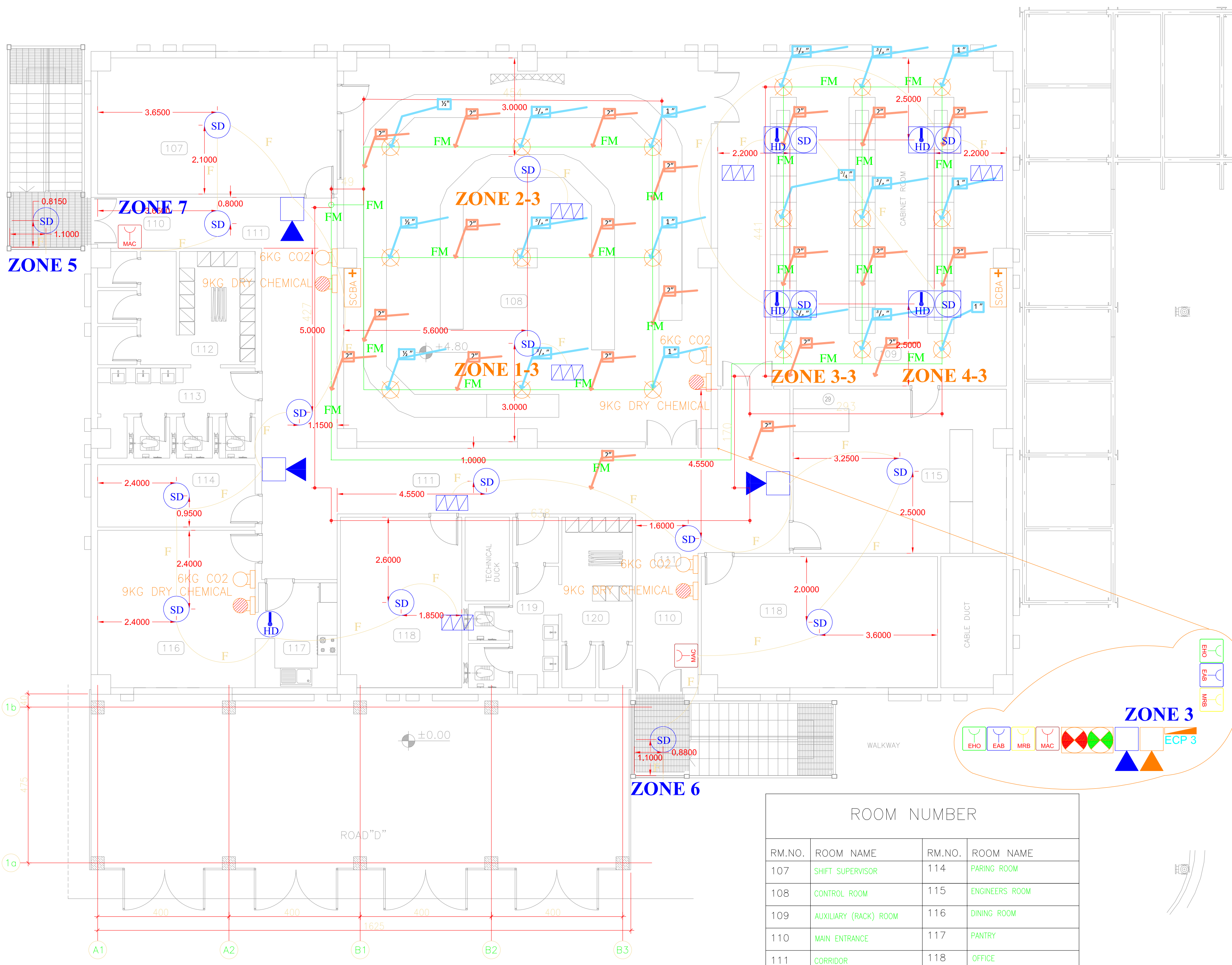
03					
02					
01					
00	Issue For Comment	B.Khoshnami	SH.Askarpour	B.Marzban	1402.04.29
REV	PURPOSE OF ISSUE	PRE'D	CHK'D	APP'D	DATE
CLIENT: Nakhl Asmari Petrochemical Company		ENGINEERING CONSULTANT: FARS SCOUT INDUSTRIAL COMPANY			
PROJECT: CONTROL & SWITCHGEAR BUILDING					
TITLE: FIRE DETECTION & FIRE FIGHTING SYSTEM INSTALLATION LAYOUT					
PRE'D:	B.Khoshnami	CHK'D:	SH.Askarpour	APP'D:	B.Marzban
CONT. JOB No.:			CONT. DWG. No.:		
REF. No.:					SC.: AS SHOWN
DOCUMENT No.:					SIZE: A2
PRJ No	PHASE	DISCIP.	DOC. TYPE	SERIAL NO.	REV.
		EL			00
					4 OF 8



ROOM NUMBER	
RM.NO.	ROOM NAME
101	BATTERY ROOM
102	H.V.A.C. ROOM
103	DOCUMENTATION
104	CABLE GALLERY
105	CO2 ROOM
106	SWITCHGEAR ROOM

1/100 **1** GROUND FLOOR PLAN
FURNITURE PLAN

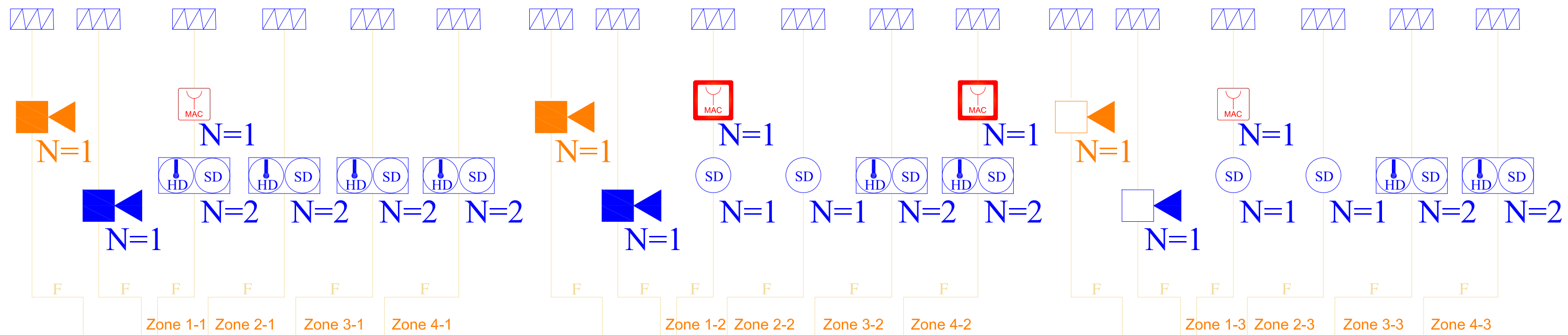
03					
02					
01					
00	Issue For Comment	B.Khoshnami	SH.Askarpour	B.Marzban	1402.04.29
REV	PURPOSE OF ISSUE	PRE'D	CHK'D	APP'D	DATE
CLIENT: Nakhl Asmari Petrochemical Company		ENGINEERING CONSULTANT: FARS SCOUT INDUSTRIAL COMPANY			
PROJECT: CONTROL & SWITCHGEAR BUILDING		TITLE: FIRE DETECTION & FIRE FIGHTING SYSTEM INSTALLATION LAYOUT			
PRE'D:	B.Khoshnami	CHK'D:	SH.Askarpour	APP'D:	B.Marzban
CONT. JOB No.:		CONT. DWG. No.:		SC.: AS SHOWN	
REF. No.:		DOCUMENT No.:		SIZE:	A2
PRJ No	PHASE	DISCIP.	DOC. TYPE	SERIAL NO.	REV.
					00
					5 OF 8



ROOM NUMBER			
RM.NO.	ROOM NAME	RM.NO.	ROOM NAME
107	SHIFT SUPERVISOR	114	PARING ROOM
108	CONTROL ROOM	115	ENGINEERS ROOM
109	AUXILIARY (RACK) ROOM	116	DINING ROOM
110	MAIN ENTRANCE	117	PANTRY
111	CORRIDOR	118	OFFICE
112	MEN LOCKER & SHOWER	119	WOMAN SANITARY
113	MEN SANITARY	120	WOMAN LOCKER & SHOWER

1 FIRST FLOOR PLAN
1/100

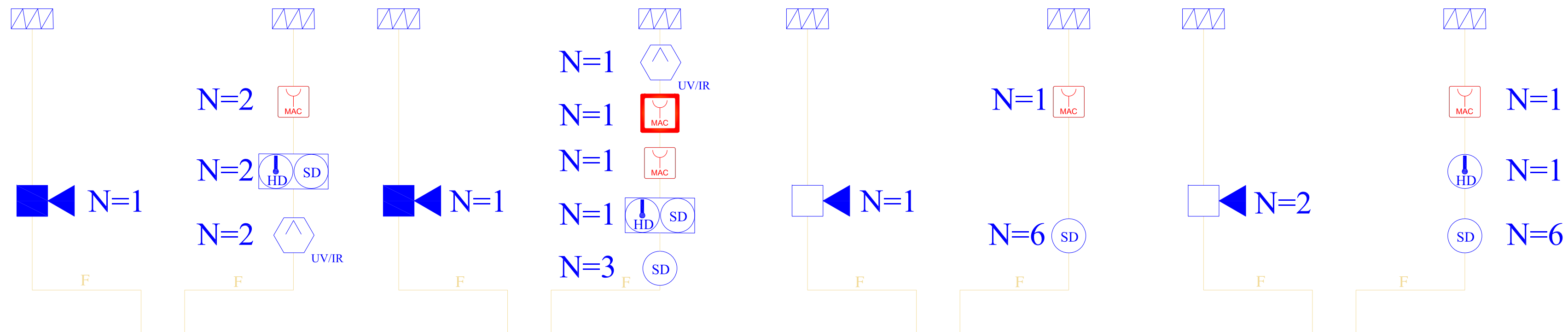
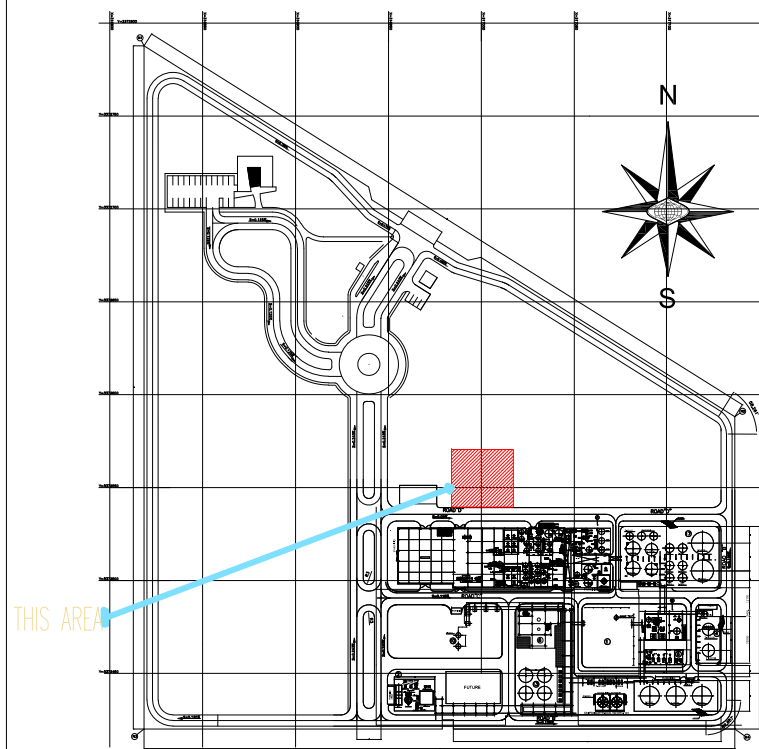
03					
02					
01					
00	Issue For Comment	B.Khoshnami	SH.Askarpour	B.Marzban	1402.04.29
REV.	PURPOSE OF ISSUE	PRE'D	CHK'D	APP'D	DATE
CLIENT: Nakhl Asmari Petrochemical Company		ENGINEERING CONSULTANT: FARS SCOUT INDUSTRIAL COMPANY			
PROJECT: CONTROL & SWITCHGEAR BUILDING		TITLE: FIRE DETECTION & FIRE FIGHTING SYSTEM INSTALLATION LAYOUT			
PRE'D:	B.Khoshnami	CHK'D:	SH.Askarpour	APP'D:	B.Marzban
CONT. JOB No.:		CONT. DWG. No.:		SC.:	AS SHOWN
REF. No.:		DOCUMENT No.:		SIZE:	A2
PRJ No	PHASE	DISCIP.	DOC. TYPE	SERIAL NO.	REV.
					00
					6 OF 8



Zone 1
 ECP 1 (Zone (1-4)-1)
 SWITCHGEAR ROOM

Zone 2
 ECP 2 (Zone (1-4)-2)
 BATTERY ROOM , CABLE GALLERY
 FACP
 FIRE ALARM CONTROL PANELS (8 ZONE)

Zone 3
 ECP 3 (Zone (1-4)-3)
 CONTROL ROOM ,
 AUXILIARY (RACK) ROOM



Zone 4
 CO 2 ROOM H.V.A.C.

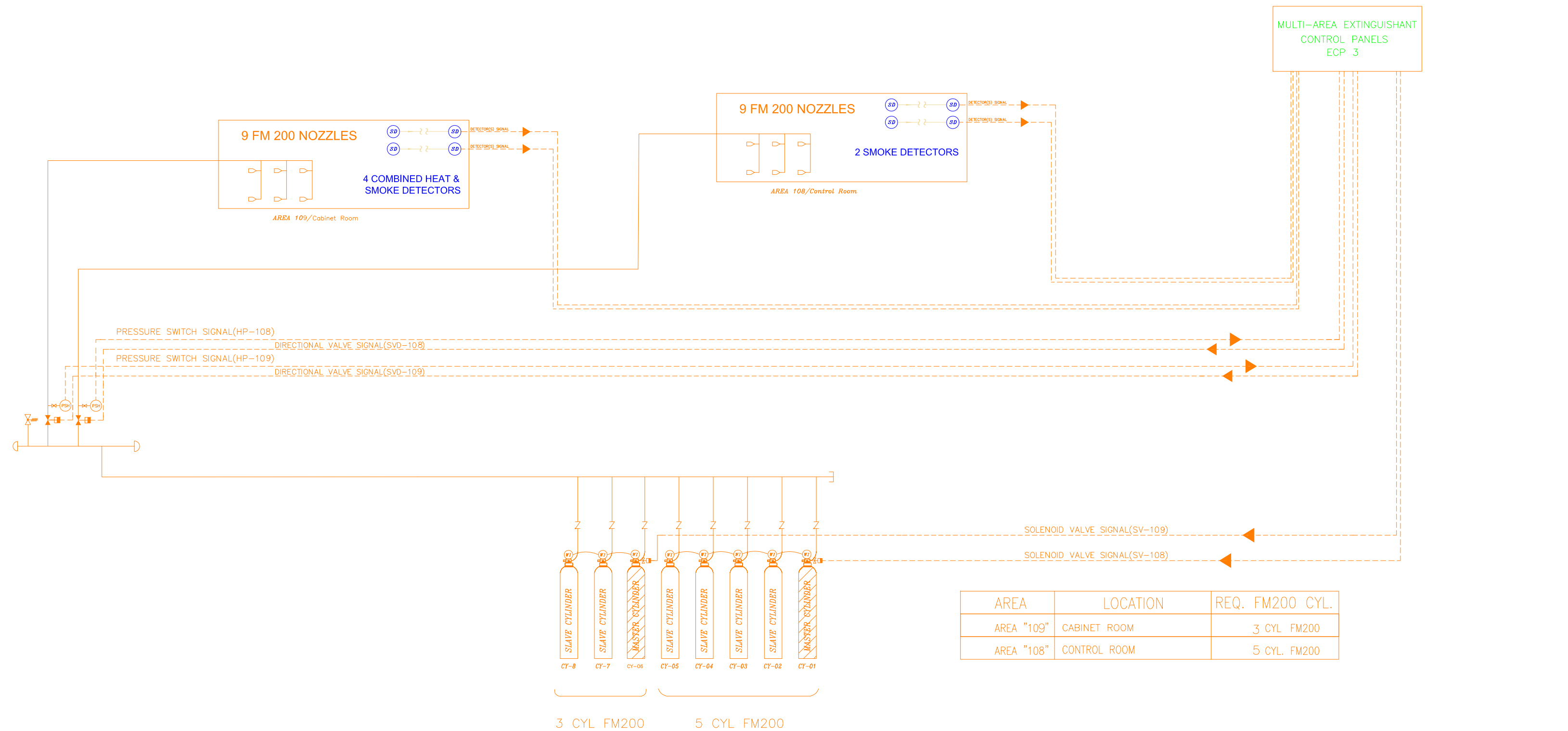
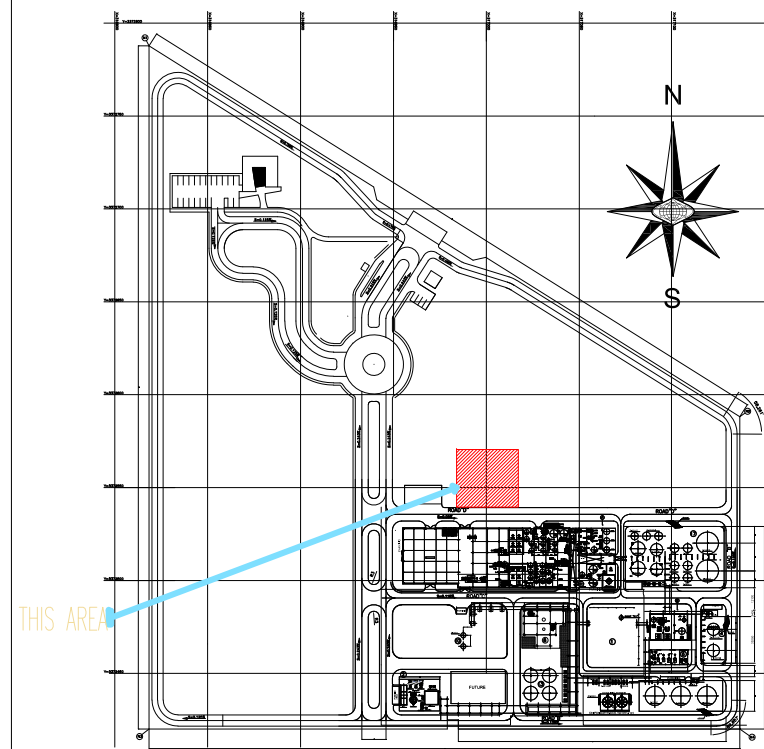
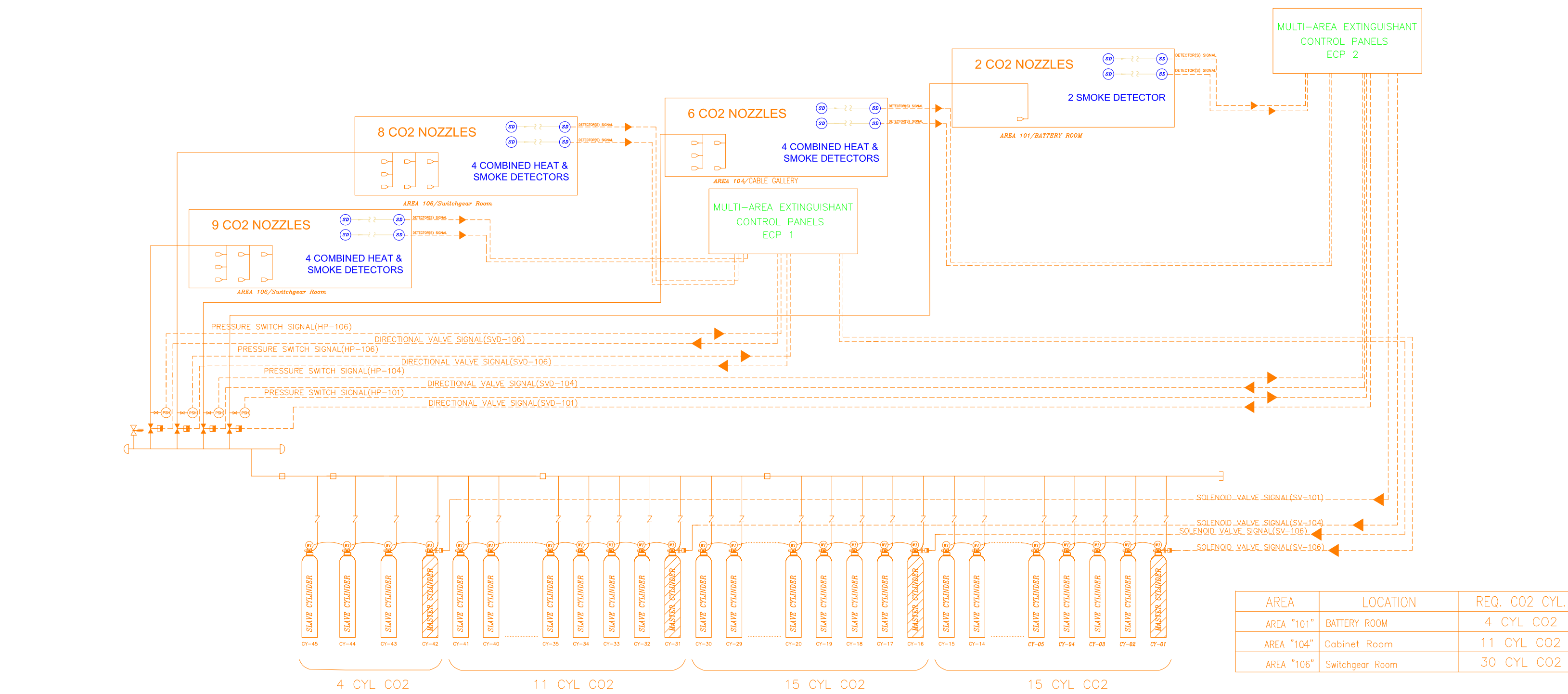
Zone 5
 ROOM , DOCUMENTATION ,
 STAIRCASE (LEFT)

Zone 6
 ENGINEERS ROOM , CORRIDOR ,
 MAIN ENTRANCE , OFFICE
 (RIGHT) , STAIRCASE (RIGHT)

Zone 7
 SHIFT SUPERVISOR , PANTRY ,
 PARING ROOM , DINING ROOM ,
 MAIN ENTRANCE , CORRIDOR ,
 OFFICE (LEFT)

FACP
 FIRE ALARM CONTROL PANELS (8 ZONE)

03					
02					
01					
00	Issue For Comment	B.Khoshnami	SH.Askarpour	B.Marzban	1402.04.29
REV	PURPOSE OF ISSUE	PRE'D	CHK'D	APP'D	DATE
CLIENT: Nakhl Asmari Petrochemical Company		ENGINEERING CONSULTANT: FARS SCOUT INDUSTRIAL COMPANY			
PROJECT: CONTROL & SWITCHGEAR BUILDING					
TITLE: FIRE DETECTION & FIRE FIGHTING SYSTEM INSTALLATION LAYOUT					
PRE'D:	B.Khoshnami	CHK'D:	SH.Askarpour	APP'D:	B.Marzban
CONT. JOB No.:			CONT. DWG. No.:		
REF. No.:					SC.: AS SHOWN
DOCUMENT No.:					SIZE: A2
PRJ No	PHASE	DISCIP.	DOC. TYPE	SERIAL NO.	REV.
					00
					7 OF 8



03					
02					
01					
00	Issue For Comment	B.Khoshnami	SH.Askarpour	B.Marzban	1402.04.29
REV	PURPOSE OF ISSUE	PRE'D	CHK'D	APP'D	DATE
CLIENT:	Nakhl Asmari Petrochemical Company		ENGINEERING CONSULTANT:		
			FARS SCOUT INDUSTRIAL COMPANY		
PROJECT:	CONTROL & SWITCHGEAR BUILDING				
TITLE:	FIRE DETECTION & FIRE FIGHTING SYSTEM INSTALLATION LAYOUT				
PRE'D:	B.Khoshnami	CHK'D:	SH.Askarpour	APP'D:	B.Marzban
CONT. JOB No.:			CONT. DWG. No.:		
REF. No.:					SC.: AS SHOWN
DOCUMENT No.:					SIZE: A2
PRJ No	PHASE	DISCIP.	DOC. TYPE	SERIAL NO.	REV.
					00
					8 OF 8